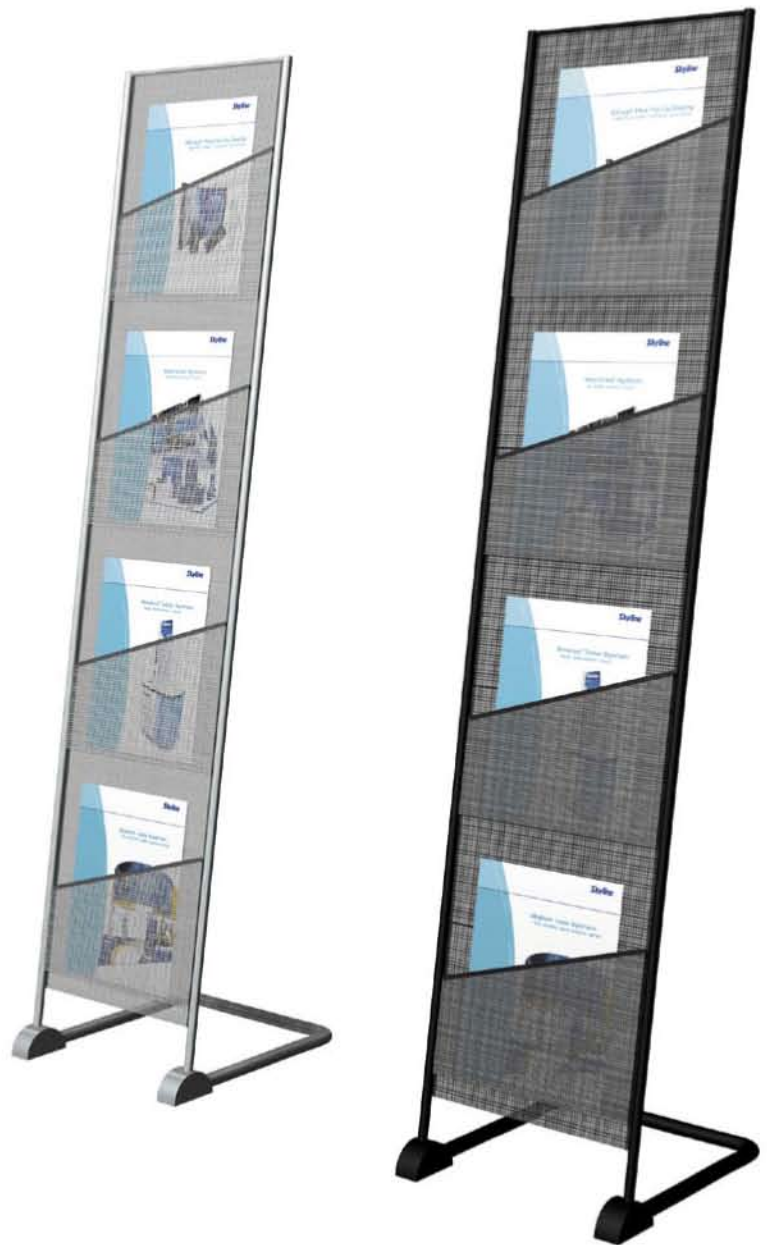


Skyline Literature Stand

Present Literature With Style

exhibiting solutions



Literature Stand

Specifications



Folds nearly flat and sets up in seconds. Simply unfold and connect shockcorded frame sections. Available in black or silver.

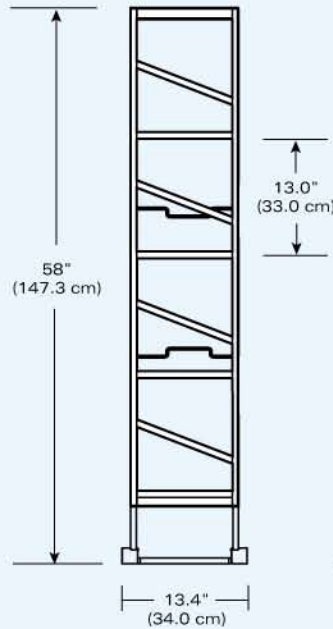


Sturdy nylon mesh holds up to 10 lbs. of literature. Pockets carry literature up to 9" x 12" and up to 1" deep.

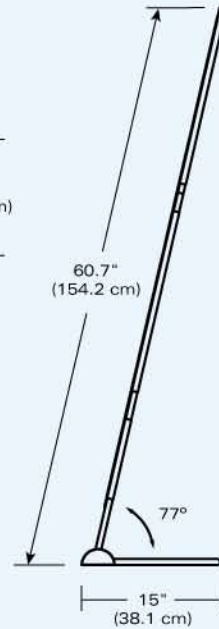


Can be seamlessly integrated into Skyline exhibit systems like Inliten®, SkyTruss®, Skyline Tube System, ps3000 and more.

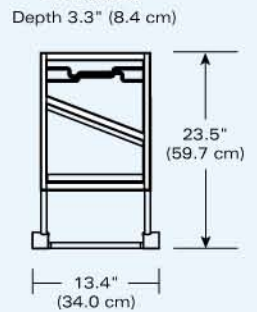
Front View



Side View



Folded

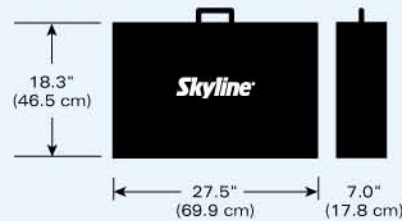


Weight: 8.5 lbs. (3.9 kg)

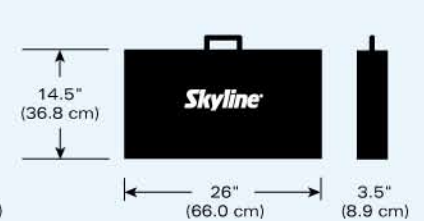
Hard Case

Capacity: Holds up to two units

Front View



Side View



Weight: 8.8 lbs. (4.0 kg)

Soft Case

Capacity: One unit plus literature

Front View



Side View



Weight: 2.0 lbs. (.09 kg)



TSI Displays Pvt. Ltd.

INDIA SALES & MARKETING OFFICE CUM SHOWROOM

F-189/1A, Savitri Nagar, Near Malviya Nagar, New Delhi-17
 Ph: +91-11-440502111, 40529300, 40529311, 40610029
 Fax: +91-11-40529322, Email: rajeev@tsidisplays.com
 Contact: Rajeev Anand
 Mobile No: 98100 30808
 www.tsidisplays.com



ISO 9001 Registered

© 2004 Skyline Exhibits