

# Regatta™ Fabric Display

Seamless graphics, shockcorded frame

exhibiting solutions



## Regatta™ Display



Regatta's frame sets up without tools and is shockcorded for easy assembly!

Fabric graphic cover simply slips over the frame and zips closed on one side. With seams around perimeter, you get full, continuous graphics on both front and back!



Available as a 10' inline or convenient tabletop display, Regatta is a perfect marketing tool for your sales force.

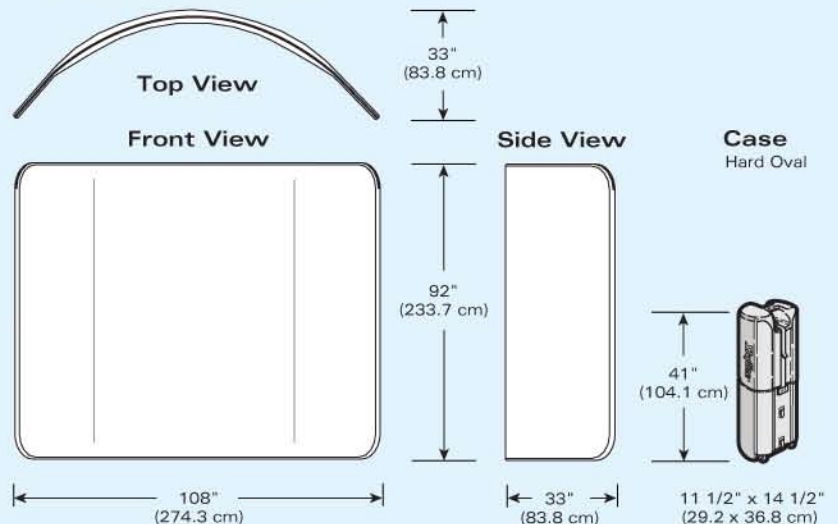


Regatta's hard oval case can be transformed into a stylish table. Both 10' inline and tabletop models, along with the case table kit, conveniently pack in a single case!

## Specifications

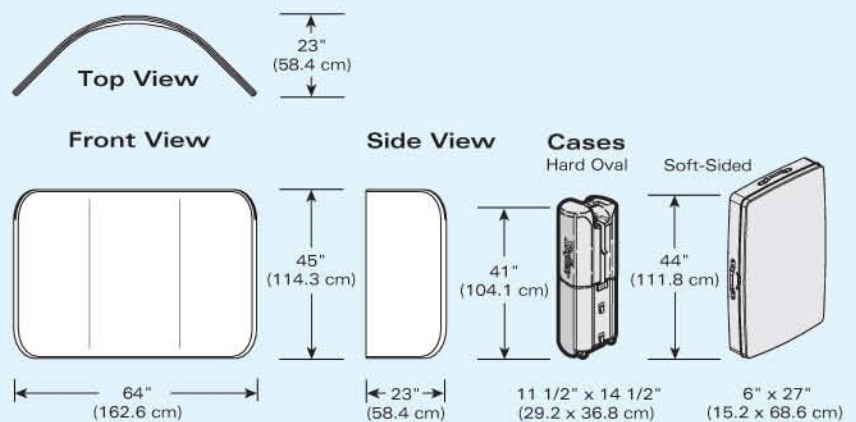
### 10' Inline Display

Weight:  
With Hard Case: 51.0 lbs. (23.2 kg)



### Tabletop Display

Weight:  
With Hard Case: 34.6 lbs. (15.7 kg)  
With Soft Case: 31.2 lbs. (14.2 kg)



### INDIA SALES & MARKETING OFFICE CUM SHOWROOM

F-189/1A, Savitri Nagar, Near Malviya Nagar, New Delhi-17

Ph: +91-11-440502111, 40529300, 40529311, 40610029

Fax: +91-11-40529322, Email: rajeev@tsidisplays.com

Contact: Rajeev Anand

Mobile No.: 98100 30808

www.tsidisplays.com



TSI Displays Pvt. Ltd.



ISO 9001 Registered

© 2004 Skyline Exhibits